

4

3

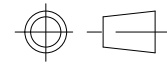
2

1

NOTES:

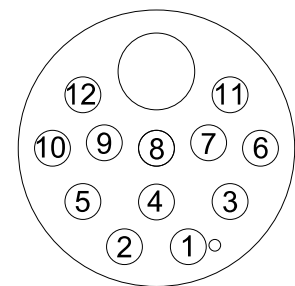
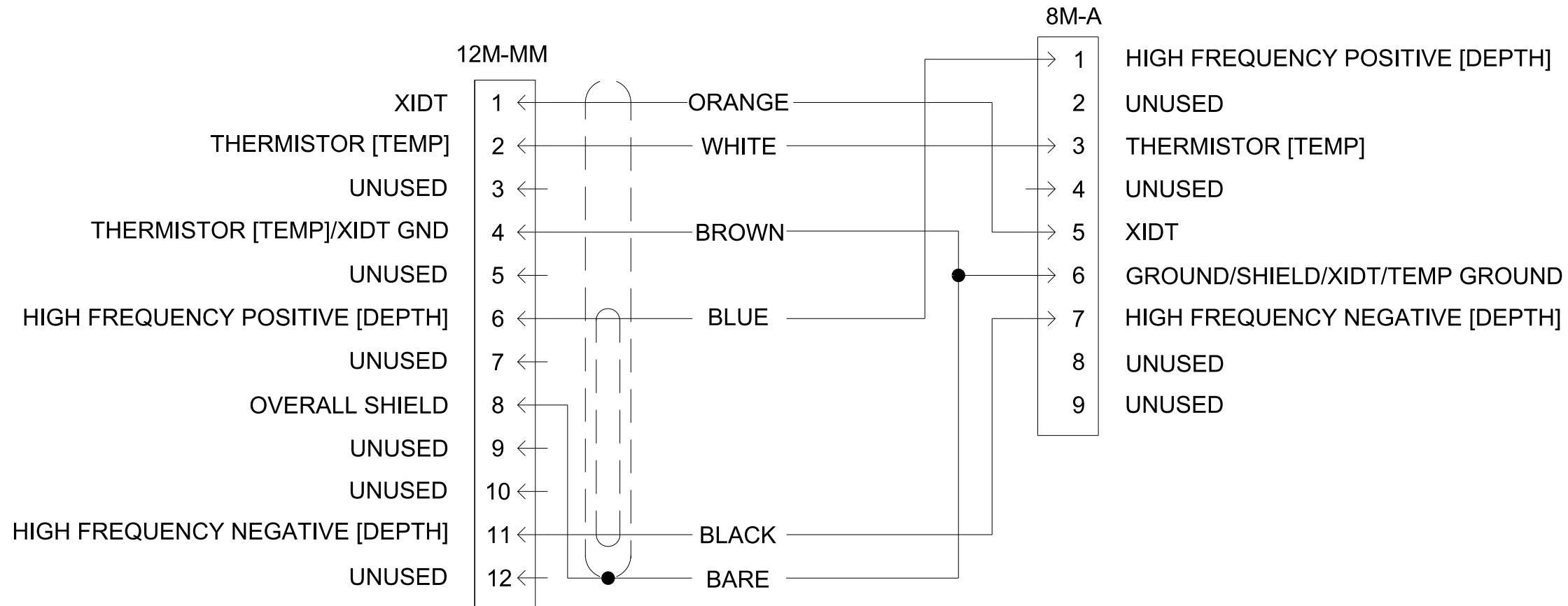
1. VIOLET WIRE IS CUT OFF ON BOTH ENDS.

THIRD ANGLE PROJECTION

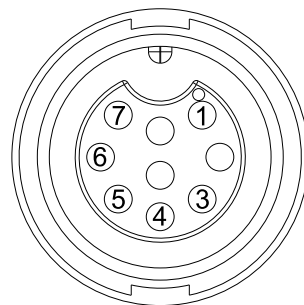


DOCUMENT REVISIONS

REV	DESCRIPTION	CO NO.	DATE	CHG/CHK
1	INITIAL RELEASE	---	06/28/23	RLE/WJL



CONTACT END VIEW  
12 PIN MALE



CONTACT END VIEW  
8 PIN MALE

UNLESS OTHERWISE SPECIFIED	SIGNATURE	DATE
DIMENSIONS ARE IN INCHES TOLERANCES ON 2 PL DECIMALS: ±0.02 3 PL DECIMALS: ±0.005 ANGLES: ±1/2° FRACTIONS: ±1/16 SURFACE FINISH: √63	DRAWN: R.EVANS	03/14/22
	CHECKED: I.ROBB	06/26/23
	APPROVED: W.LETENDRE	06/26/23

MATERIAL  
**AS NOTED**

PART NUMBER <b>N/A</b>		P/N REV <b>N/A</b>	
<b>AIRMAR</b> AIRMAR TECHNOLOGY CORPORATION 35 MEADOWBROOK DR MILFORD NH 03055-4613 USA TEL: 603-673-9570 FAX: 603-673-4624			
<b>WIRING, CBL ASSEMBLY, C315 12M-MM &amp; 8M-A</b>			
SIZE <b>B</b>	SCALE: NONE SHEET 1 OF 1	DOC NUMBER <b>D-20626</b>	DOC REV <b>1</b>

THIS DOCUMENT AND THE DATA DISCLOSED HEREIN OR HEREWITH IS NOT TO BE REPRODUCED, USED, OR DISCLOSED IN WHOLE OR IN PART TO ANYONE WITHOUT THE PERMISSION OF AIRMAR

CRITICAL DIMENSIONS (REF) DO NOT SCALE DRAWING

4

3

2

1